

# LITHIUM

LiFePO4

LITHIUM (LiFePO4) | High Performance

REF **BSLi-09**



**12v** VOLTAGE

**72Wh** ENERGY

**360A** CCA

### TECHNOLOGY

- Lithium Iron Phosphate cells construction
- Pre-charged batteries
- Homologated by OEM

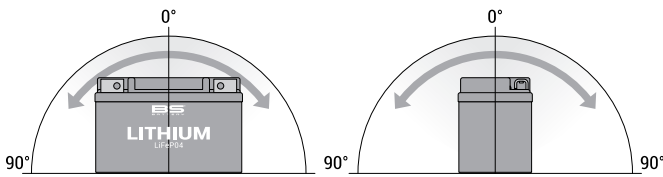
### FEATURES

- Fast charging
- Multi-positioning mounting
- Very safe and environmental friendly
- Extensive cycle life: over 2000 cycles
- Very low self-discharge
- Cold temperature performance
- Waterproof design
- Ready to use: just plug and play
- Robust brass terminals
- Heat resistance: up to 230 C°
- Lighter weight

### REPLACEMENTS

BYZ16	B50-N18A-A	BTX14
BTX20H-BS	BTX20CH-BS	

### MOUNTING ANGLE

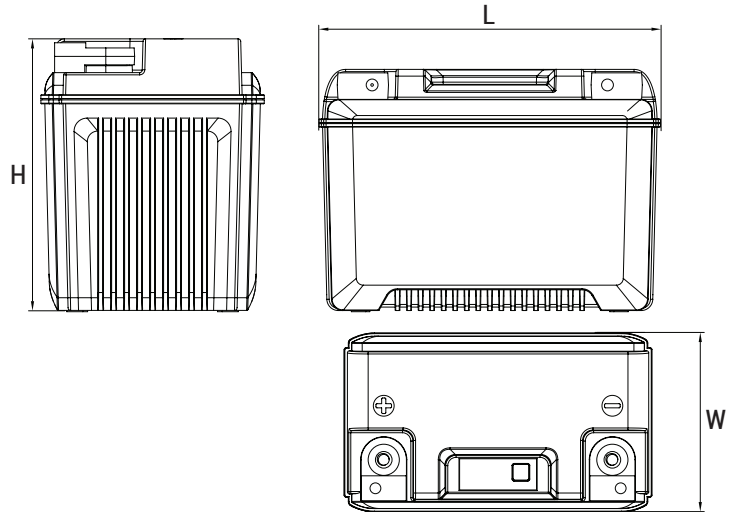


High inclinasion

**NON-SPILLABLE**

### DIMENSIONS & WEIGHT

Length (L):	148±1mm
Width (W):	86±1mm
Height (H):	105±2mm
Weight:	1.28kg (tolerance ±3%)



### TERMINALS

