

SLA

FACTORY ACTIVATED

SLA | READY TO START

REF BTX20L



12V VOLTAGE - V

270A CCA - A

18.9Ah CAPACITY - Ah (20Hr)

18Ah CAPACITY - Ah (10Hr)

TECHNOLOGY

- Designed according to AGM technology (Absorbed acid)
- VRLA battery type
- Activated and pre-charged batteries
- Homologated by OEM

FEATURES

- AGM construction (Absorbed Glass Material)
- VRLA battery (Valve Regulated Lead Acid)
- Factory activated
- Environmentally friendly, spillproof design
- Multi-positional fitment
- Absolutely Maintenance free
- Sealed, no gas emission through venting hole (under normal operation)
- Ready & Easy to use
- No acid handling - Very safe
- Increased power & Extended life
- Extreme vibration resistance

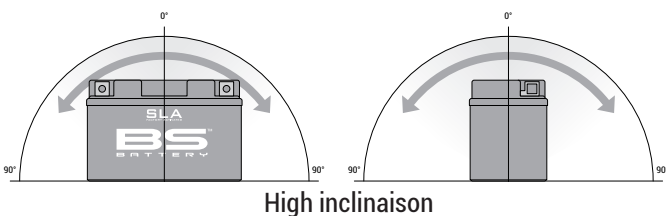
UPGRADE FOR

BTX20L-BS

WEIGHT

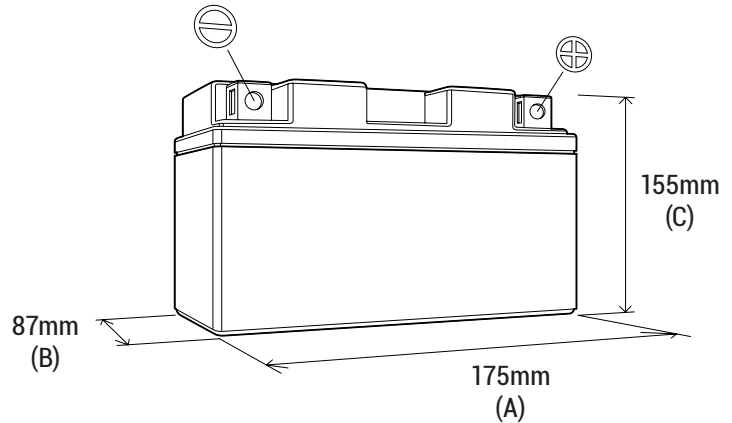
Battery (with acid) : Approx 6.04kg (13.30lbs)

MOUNTING ANGLE



DIMENSIONS

Length (A) : 175±2mm (6.89 in)
 Width (B) : 87±2mm (3.43 in)
 Container height : 155±2mm (6.10 in)
 Total height (C) : 155±2mm (6.10 in)



TERMINALS

