

SLA

FACTORY ACTIVATED

SLA | READY TO START

REF BB7L-B2



12V VOLTAGE - V

100A CCA - A

8.4Ah CAPACITY - Ah (20Hr)

8Ah CAPACITY - Ah (10Hr)

TECHNOLOGY

- Designed according to AGM technology (Absorbed acid)
- VRLA battery type
- Activated and pre-charged batteries
- Homologated by OEM

FEATURES

- AGM construction (Absorbed Glass Material)
- VRLA battery (Valve Regulated Lead Acid)
- Factory activated
- Environmentally friendly, spillproof design
- Multi-positional fitment
- Absolutely Maintenance free
- Sealed, no gas emission through venting hole (under normal operation)
- Ready & Easy to use
- No acid handling - Very safe
- Increased power & Extended life
- Extreme vibration resistance

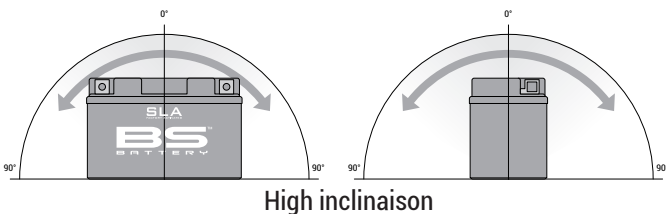
UPGRADE FOR

-

WEIGHT

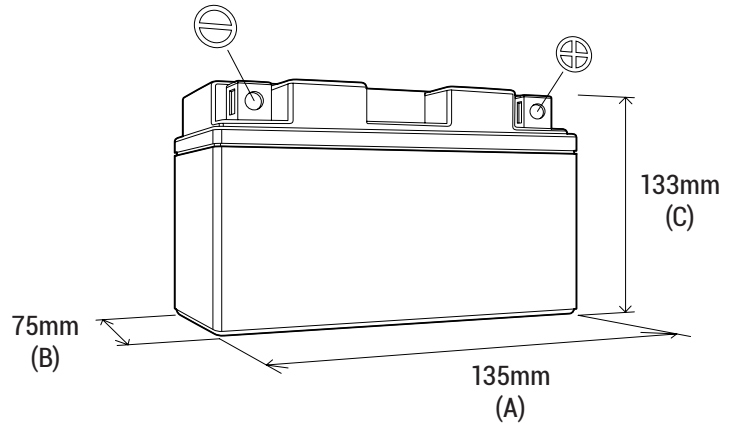
Battery (with acid) : Approx 2.81kg (6.19 lbs)

MOUNTING ANGLE



DIMENSIONS

Length (A) : 135±2mm (5.31 in)
 Width (B) : 75±2mm (2.95 in)
 Container height : 133±2mm (5.24 in)
 Total height (C) : 133±2mm (5.24 in)



TERMINALS

