



## SLA<sup>MAX</sup>

FACTORY ACTIVATED

SLA MAX | PREMIUM QUALITY READY TO START

# REF BTX16H



**12V** VOLTAGE - v

**220A** CCA - A

**16Ah** CAPACITY - Ah (20Hr)

**14Ah** CAPACITY - Ah (10Hr)

### TECHNOLOGY

- AGM construction (Absorbed Glass Material)
- VRLA battery (Valve Regulated Lead Acid)
- Activated and pre-charged batteries
- Homologated by OEM

### FEATURES

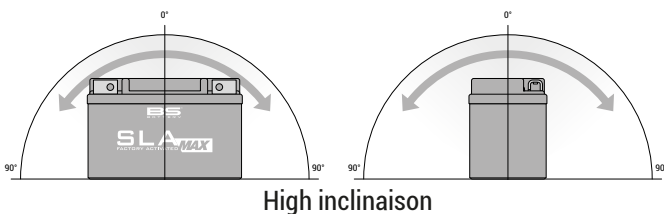
- Factory activated : Ready-to-start battery
- Totally sealed
- Safe & Environmentally friendly
- Superior capacity
- Increased power & Extended life
- Low discharge rate
- Absolutely maintenance free
- Sealed, no gas emission through venting hole (under normal operation)
- Extreme vibration resistance
- Spillproof design
- Multi-positional fitment
- No acid handling - Very safe

### UPGRADE FOR

### WEIGHT

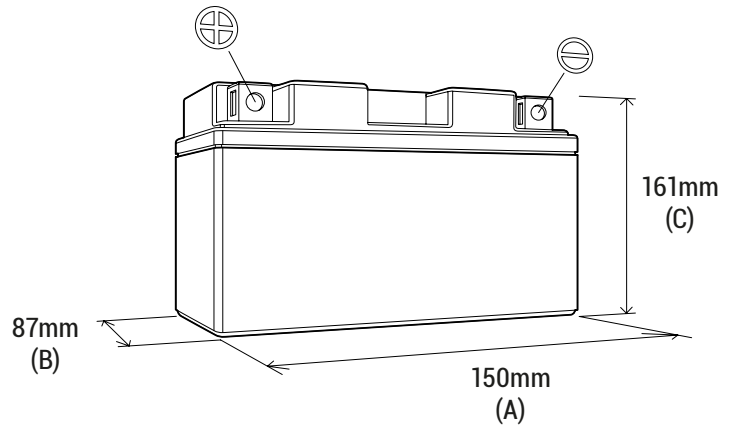
Battery (with acid) : Approx 5.45kg (12.0lbs)

### MOUNTING ANGLE



### DIMENSIONS

Length (A) : 150±2mm (5.91in)  
 Width (B) : 87±2mm (3.43in)  
 Container height : 161±2mm (6.34in)  
 Total height (C) : 161±2mm (6.34in)



### TERMINALS

