



SLA^{MAX}

FACTORY ACTIVATED

SLA MAX | PREMIUM QUALITY READY TO START

REF **51913**



12V VOLTAGE - V

210A CCA - A

22Ah CAPACITY - Ah (20Hr)

21Ah CAPACITY - Ah (10Hr)

TECHNOLOGY

- AGM construction (Absorbed Glass Material)
- VRLA battery (Valve Regulated Lead Acid)
- Activated and pre-charged batteries
- Homologated by OEM

FEATURES

- Factory activated : Ready-to-start battery
- Totally sealed
- Safe & Environmentally friendly
- Superior capacity
- Increased power & Extended life
- Low discharge rate
- Absolutely maintenance free
- Sealed, no gas emission through venting hole (under normal operation)
- Extreme vibration resistance
- Spillproof design
- Multi-positional fitment
- No acid handling - Very safe

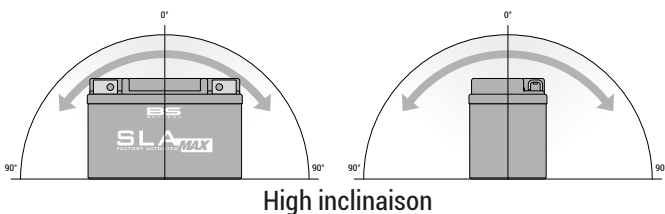
UPGRADE FOR

SLA12-19 & S1913 DRY

WEIGHT

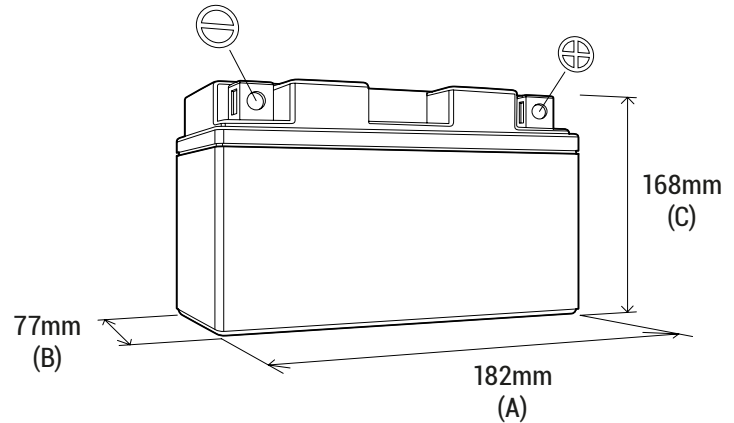
Battery (with acid) : approx 6.04kg

MOUNTING ANGLE

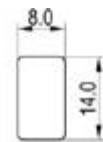


DIMENSIONS

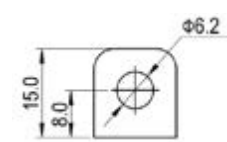
Length (A) : 182mm (±2mm)
 Width (B) : 77mm (±2mm)
 Container height : 168mm (±2mm)
 Total height (C) : 168mm (±2mm)



TERMINALS



FRONT



SIDE



TOP