

## MF BATTERY

MF | MAINTENANCE FREE

# REF BTX9-BS



**12V** VOLTAGE - V

**135A** CCA - A

**8.4Ah** VOLTAGE - Ah (20Hr)

**8Ah** VOLTAGE - Ah (10Hr)

### TECHNOLOGY

- AGM construction (absorbed acid)
- VRLA battery (Valve Regulated Lead Acid)
- Dry charged with acid pack included
- Homologated by OEM

### FEATURES

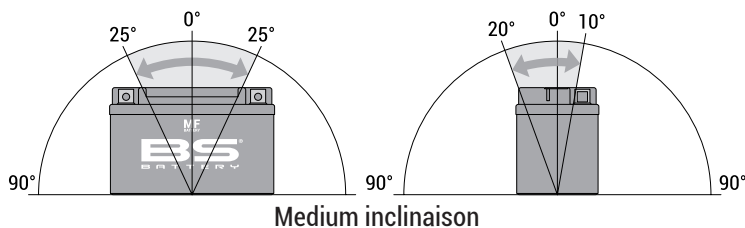
- Upright installation only
- Maintenance free (no water refilling)
- Sealed after filling, no gas emission through venting hole (under normal operation)
- High power
- Does not need to be recharged while stocked
- Suitable for cold weather
- Reduction of plate sulfation
- Higher life cycle (up to three times longer than conventional batteries)
- Longer voltage hold

### UPGRADE FOR

### WEIGHT

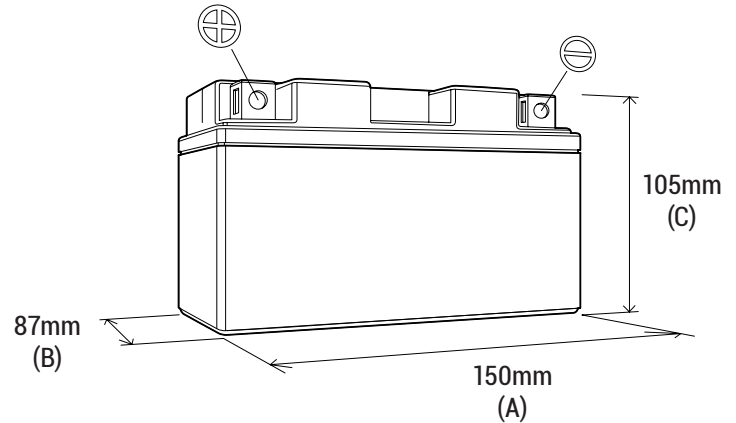
Battery (with acid) : Approx 3.07kg (6.77 lbs)

### MOUNTING ANGLE



### DIMENSIONS

Length (A) : 150±2mm (5.91 in)  
 Width (B) : 87±2mm (3.43 in)  
 Container height : 105±2mm (4.13 in)  
 Total height (C) : 105±2mm (4.13 in)



### TERMINALS

