

MF
BATTERY

MF | MAINTENANCE FREE

REF **BTX14AH-BS**



12v VOLTAGE - v

210A CCA - A

12.6Ah VOLTAGE - Ah (20Hr)

12Ah VOLTAGE - Ah (10Hr)

TECHNOLOGY

- AGM construction (absorbed acid)
- VRLA battery (Valve Regulated Lead Acid)
- Supplied with a separate acid pack
- Homologated by OEM

FEATURES

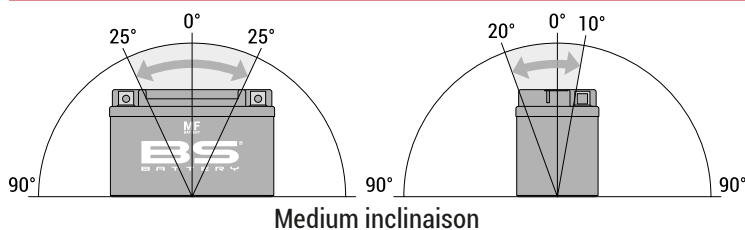
- Upright installation only
- Maintenance free (no water refilling)
- Sealed after filling, no gas emission through venting hole (under normal operation)
- High power
- Does not need to be recharged while stocked
- Suitable for cold weather
- Reduction of plate sulfation
- Higher life cycle (up to three times longer than conventional batteries)
- Longer voltage hold

UPGRADE FOR

WEIGHT

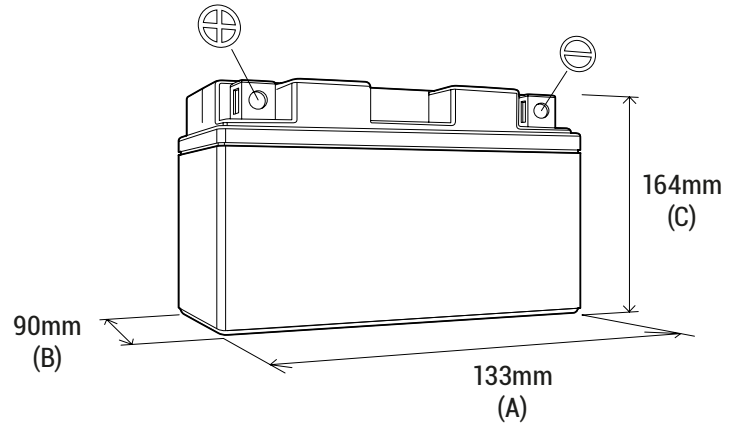
Battery (with acid) : Approx 4.71kg (10.37lbs)

MOUNTING ANGLE



DIMENSIONS

Length (A) :	133±2mm (5.24in)
Width (B) :	90±2mm (3.54in)
Container height :	164±2mm (6.46in)
Total height (C) :	164±2mm (6.46in)



TERMINALS

