

MF BATTERY

MF | MAINTENANCE FREE

REF BT9A-BS



12V VOLTAGE - v

115A CCA - A

9.5Ah VOLTAGE - Ah (20Hr)

9Ah VOLTAGE - Ah (10Hr)

TECHNOLOGY

- AGM construction (absorbed acid)
- VRLA battery (Valve Regulated Lead Acid)
- Supplied with a separate acid pack
- Homologated by OEM

FEATURES

- Upright installation only
- Maintenance free (no water refilling)
- Sealed after filling, no gas emission through venting hole (under normal operation)
- High power
- Does not need to be recharged while stocked
- Suitable for cold weather
- Reduction of plate sulfation
- Higher life cycle (up to three times longer than conventional batteries)
- Longer voltage hold

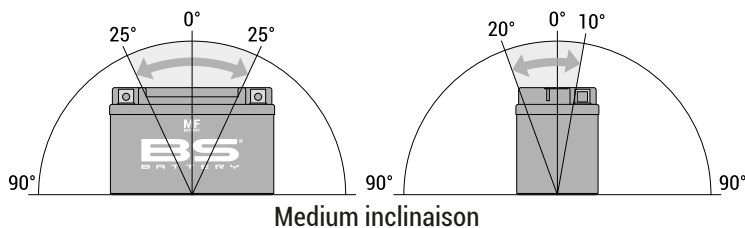
UPGRADE FOR

BB9-B

WEIGHT

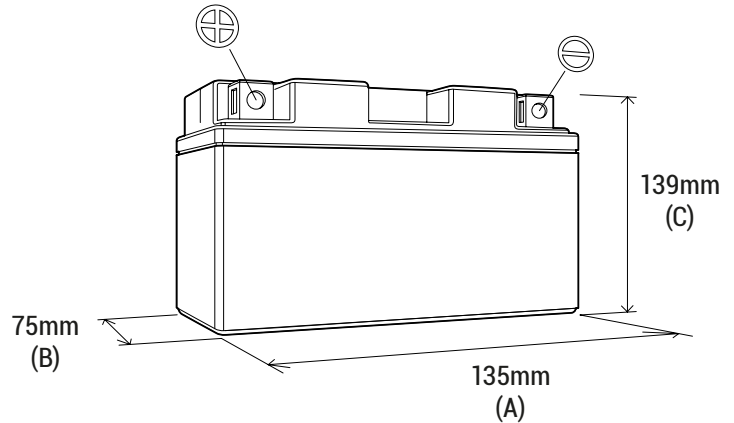
Battery (with acid) : Approx 3.11kg (6.85lbs)

MOUNTING ANGLE



DIMENSIONS

Length (A) : 135±2mm (5.31in)
 Width (B) : 75±2mm (2.95in)
 Container height : 139±2mm (5.47in)
 Total height (C) : 139±2mm (5.47in)



TERMINALS

