

## MF BATTERY

MF | MAINTENANCE FREE

# REF BT4B-BS



**12V** VOLTAGE - V

**40A** CCA - A

**2.4Ah** VOLTAGE - Ah (20Hr)

**2.3Ah** VOLTAGE - Ah (10Hr)

### TECHNOLOGY

- AGM construction (absorbed acid)
- VRLA battery (Valve Regulated Lead Acid)
- Supplied with a separate acid pack
- Homologated by OEM

### FEATURES

- Upright installation only
- Maintenance free (no water refilling)
- Sealed after filling, no gas emission through venting hole (under normal operation)
- High power
- Does not need to be recharged while stocked
- Suitable for cold weather
- Reduction of plate sulfation
- Higher life cycle (up to three times longer than conventional batteries)
- Longer voltage hold

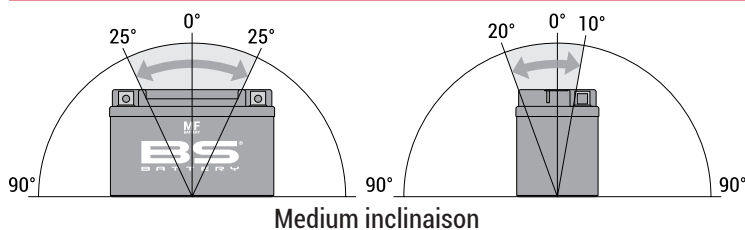
### UPGRADE FOR

-

### WEIGHT

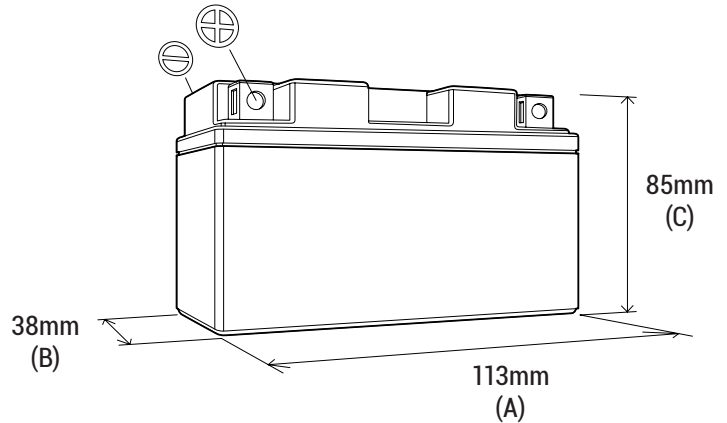
Battery (with acid) : Approx 0.92kg (2.03lbs)

### MOUNTING ANGLE



### DIMENSIONS

Length (A) : 113±2mm (4.45in)  
 Width (B) : 38±2mm (1.50in)  
 Container height : 85±2mm (3.35in)  
 Total height (C) : 85±2mm (3.35in)



### TERMINALS

