

DRY BATTERY

DRY | CONVENTIONAL

REF SBB14L-A2



12V VOLTAGE - V

175A CCA - A

14.7Ah VOLTAGE - Ah (20Hr)

14Ah VOLTAGE - Ah (10Hr)

TECHNOLOGY

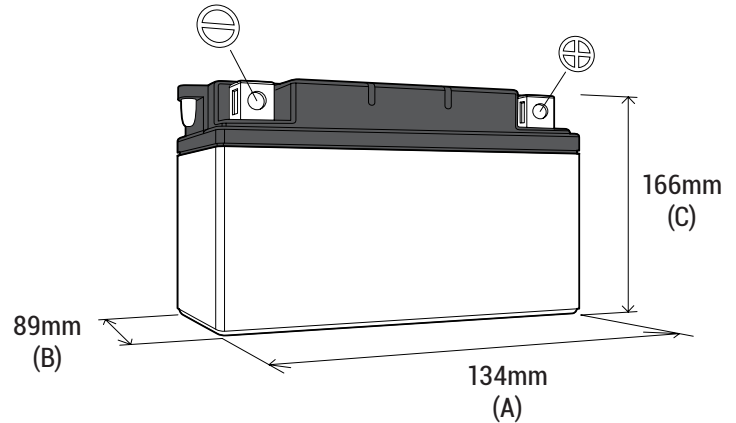
- Lead acid dry charged construction (absorbed acid)
- No acid in cells, must be filled with acid before use
- 6 & 12V batteries

FEATURES

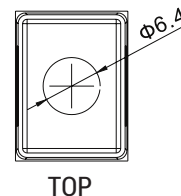
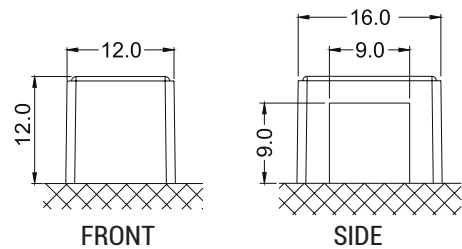
- Upright installation only
- Has to be checked periodically and refilled with water if necessary
- Internal gas emission through venting hole
- Handle with care to prevent acid spillage
- Regular life duration
- Does not need to be recharged while stocked

DIMENSIONS

Length (A) :	134±2mm (5.28in)
Width (B) :	89±2mm (3.50in)
Container height :	166±2mm (6.54in)
Total height (C) :	166±2mm (6.54in)



TERMINALS



UPGRADE FOR

-

WEIGHT

Battery (with acid) : Approx 4.55kg (10.01lbs)

MOUNTING ANGLE

