

DRY BATTERY

DRY | CONVENTIONAL

REF HBB16A-AB



12v VOLTAGE - v

210A CCA - A

16.8h VOLTAGE - Ah (20Hr)

16Ah VOLTAGE - Ah (10Hr)

TECHNOLOGY

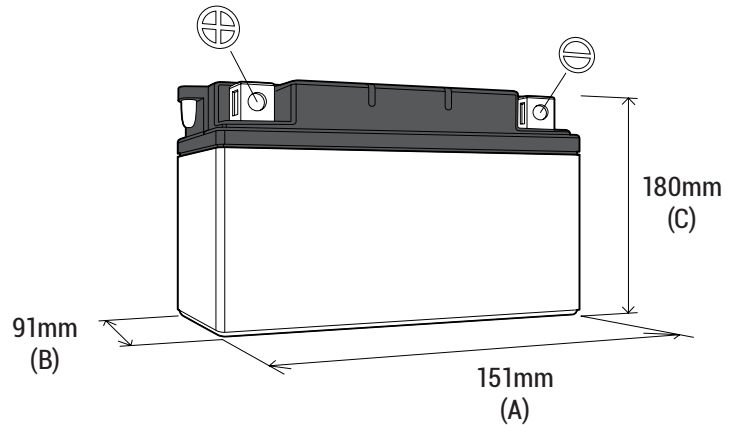
- Lead acid dry charged construction (absorbed acid)
- No acid in cells, must be filled with acid before use
- 6 & 12V batteries

FEATURES

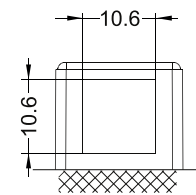
- Upright installation only
- Has to be checked periodically and refilled with water if necessary
- Internal gas emission through venting hole
- Handle with care to prevent acid spillage
- Regular life duration
- Does not need to be recharged while stocked

DIMENSIONS

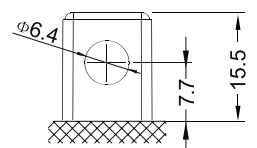
Length (A) :	151±2mm (5.94in)
Width (B) :	91±2mm (3.58in)
Container height :	180±2mm (7.09in)
Total height (C) :	180±2mm (7.09in)



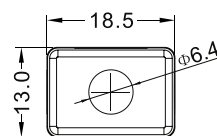
TERMINALS



FRONT



SIDE



TOP

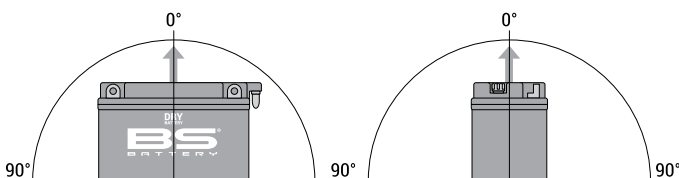
UPGRADE FOR

-

WEIGHT

Battery (with acid) : Approx 5.06kg (11.16lbs)

MOUNTING ANGLE



Upright installation only