

## DRY BATTERY

DRY | CONVENTIONAL

# REF BHD-12



**12v** VOLTAGE - v

**280A** CCA - A

**29.5Ah** VOLTAGE - Ah (20Hr)

**29Ah** VOLTAGE - Ah (10Hr)

### TECHNOLOGY

- Lead acid dry charged construction (absorbed acid)
- No acid in cells, must be filled with acid before use
- 6 & 12V batteries

### FEATURES

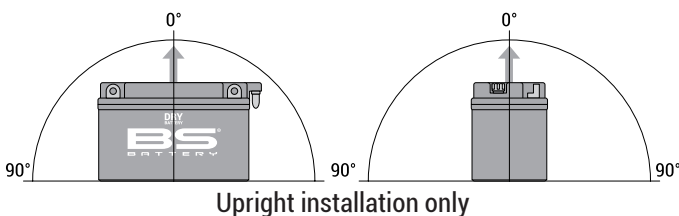
- Upright installation only
- Has to be checked periodically and refilled with water if necessary
- Internal gas emission through venting hole
- Handle with care to prevent acid spillage
- Regular life duration
- Does not need to be recharged while stocked

### UPGRADE FOR

### WEIGHT

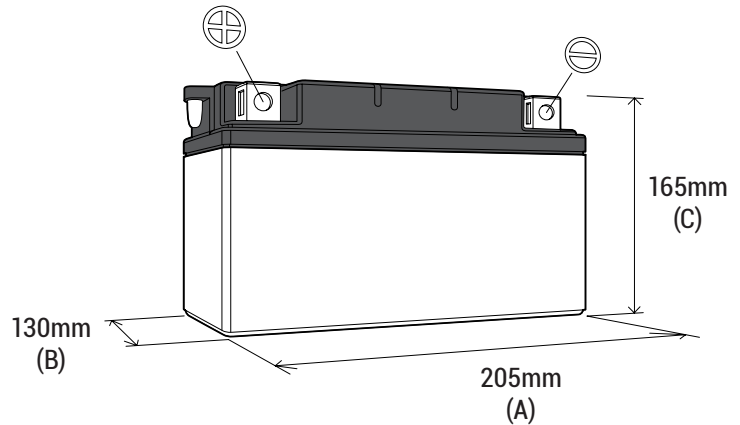
Battery (with acid) :                      Approx 8.66kg (19.09lbs)

### MOUNTING ANGLE



### DIMENSIONS

Length (A) :                                      205±2mm (8.07in)  
 Width (B) :                                      130±2mm (5.12in)  
 Container height :                              165±2mm (6.50in)  
 Total height (C) :                              165±2mm (6.50in)



### TERMINALS

