

## DRY BATTERY

DRY | CONVENTIONAL

# REF BB9L-A2



**12V** VOLTAGE - V

**100A** CCA - A

**9.5Ah** VOLTAGE - Ah (20Hr)

**9Ah** VOLTAGE - Ah (10Hr)

### TECHNOLOGY

- Lead acid dry charged construction (absorbed acid)
- No acid in cells, must be filled with acid before use
- 6 & 12V batteries

### FEATURES

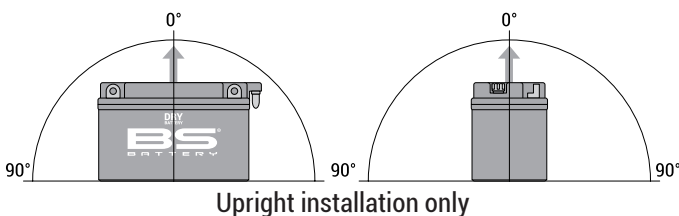
- Upright installation only
- Has to be checked periodically and refilled with water if necessary
- Internal gas emission through venting hole
- Handle with care to prevent acid spillage
- Regular life duration
- Does not need to be recharged while stocked

### UPGRADE FOR

### WEIGHT

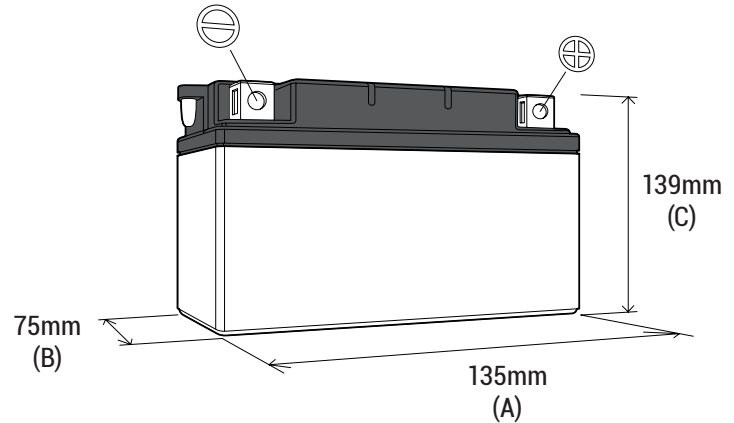
Battery (with acid) : Approx 2.99kg (6.59lbs)

### MOUNTING ANGLE



### DIMENSIONS

Length (A) : 135±2mm (5.31in)  
 Width (B) : 75±2mm (2.95in)  
 Container height : 139±2mm (5.47in)  
 Total height (C) : 139±2mm (5.47in)



### TERMINALS

