

DRY BATTERY

DRY | CONVENTIONAL

REF BB7C-A



12V VOLTAGE - v

85A CCA - A

8.4Ah VOLTAGE - Ah (20Hr)

8Ah VOLTAGE - Ah (10Hr)

TECHNOLOGY

- Lead acid dry charged construction (absorbed acid)
- No acid in cells, must be filled with acid before use
- 6 & 12V batteries

FEATURES

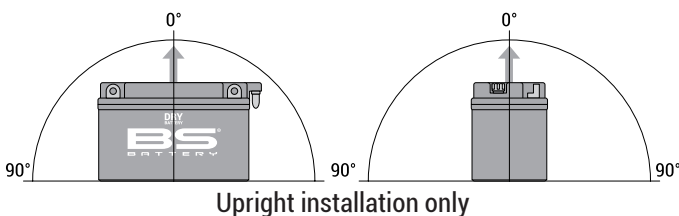
- Upright installation only
- Has to be checked periodically and refilled with water if necessary
- Internal gas emission through venting hole
- Handle with care to prevent acid spillage
- Regular life duration
- Does not need to be recharged while stocked

UPGRADE FOR

WEIGHT

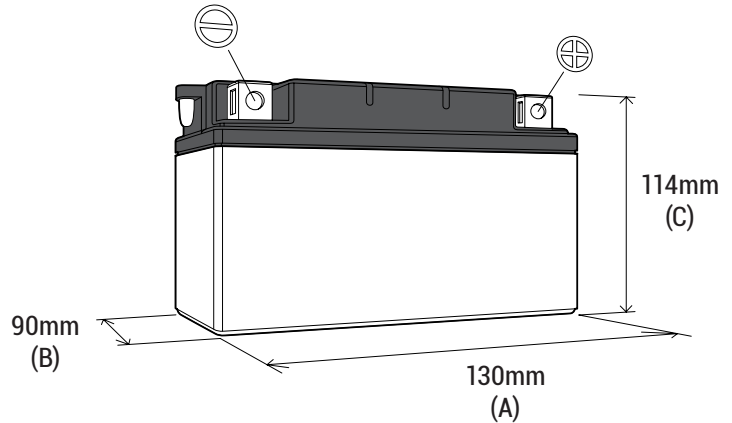
Battery (with acid) : Approx 2.84kg (6.25lbs)

MOUNTING ANGLE



DIMENSIONS

Length (A) : 130±2mm (5.12in)
 Width (B) : 90±2mm (3.54in)
 Container height : 114±2mm (4.49in)
 Total height (C) : 114±2mm (4.49in)



TERMINALS

