

## DRY BATTERY

DRY | CONVENTIONAL

REF **BB7-A**



**12V** VOLTAGE - V

**105A** CCA - A

**8.4Ah** VOLTAGE - Ah (20Hr)

**8Ah** VOLTAGE - Ah (10Hr)

### TECHNOLOGY

- Lead acid dry charged construction (absorbed acid)
- No acid in cells, must be filled with acid before use
- 6 & 12V batteries

### FEATURES

- Upright installation only
- Has to be checked periodically and refilled with water if necessary
- Internal gas emission through venting hole
- Handle with care to prevent acid spillage
- Regular life duration
- Does not need to be recharged while stocked

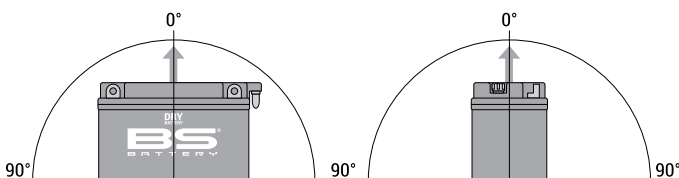
### UPGRADE FOR

-

### WEIGHT

Battery (with acid) : Approx 2.82kg (6.22lbs)

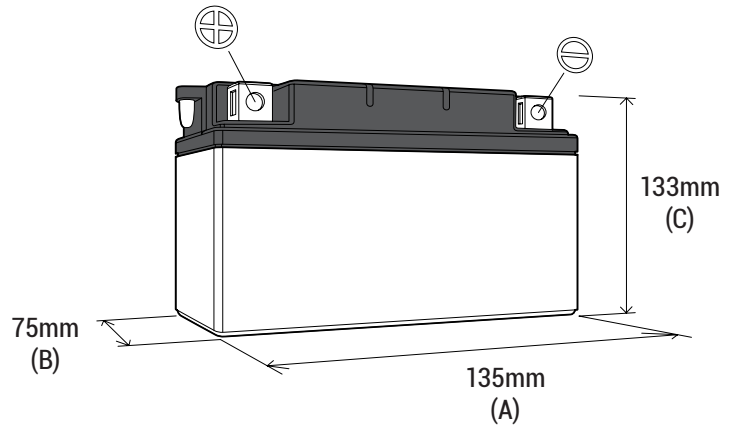
### MOUNTING ANGLE



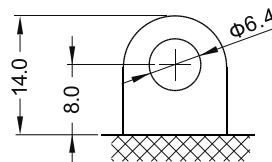
Upright installation only

### DIMENSIONS

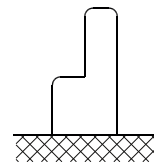
Length (A) : 135±2mm (5.31in)  
 Width (B) : 75±2mm (2.95in)  
 Container height : 133±2mm (5.24in)  
 Total height (C) : 133±2mm (5.24in)



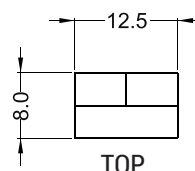
### TERMINALS



FRONT



SIDE



TOP