

DRY BATTERY

DRY | CONVENTIONAL

REF BB4L-B



12V VOLTAGE - V

50A CCA - A

4.2Ah VOLTAGE - Ah (20Hr)

4Ah VOLTAGE - Ah (10Hr)

TECHNOLOGY

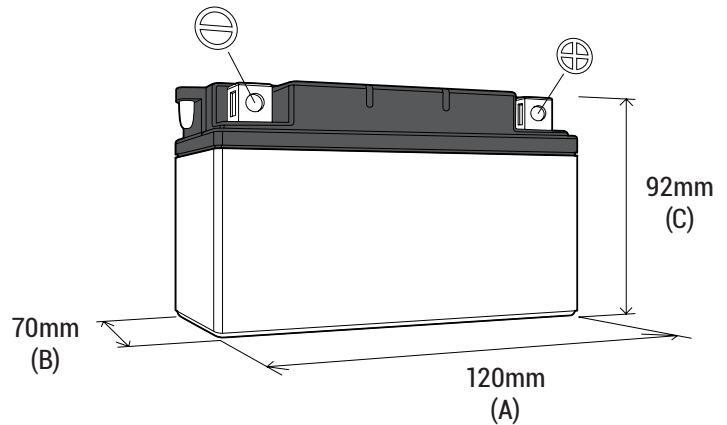
- Lead acid dry charged construction (absorbed acid)
- No acid in cells, must be filled with acid before use
- 6 & 12V batteries

FEATURES

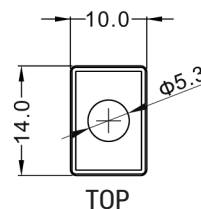
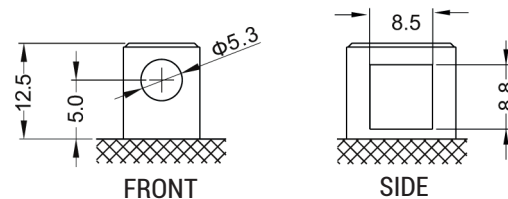
- Upright installation only
- Has to be checked periodically and refilled with water if necessary
- Internal gas emission through venting hole
- Handle with care to prevent acid spillage
- Regular life duration
- Does not need to be recharged while stocked

DIMENSIONS

Length (A) : 120±2mm (4.72in)
 Width (B) : 70±2mm (2.76in)
 Container height : 92±2mm (3.61in)
 Total height (C) : 92±2mm (3.61in)



TERMINALS



UPGRADE FOR

WEIGHT

Battery (with acid) : Approx 1.61kg (3.55lbs)

MOUNTING ANGLE

