



## DRY BATTERY

### DRY | CONVENTIONAL

# REF BB3L-B



**12V** VOLTAGE - V

**30A** CCA - A

**3.2Ah** VOLTAGE - Ah (20Hr)

**3Ah** VOLTAGE - Ah (10Hr)

#### TECHNOLOGY

- Lead acid dry charged construction (absorbed acid)
- No acid in cells, must be filled with acid before use
- 6 & 12V batteries

#### FEATURES

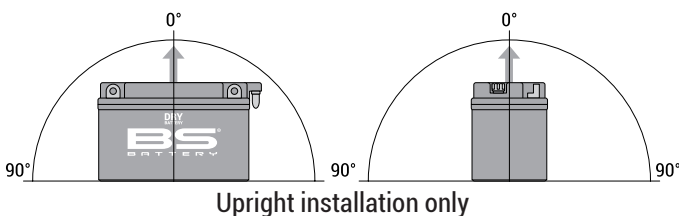
- Upright installation only
- Has to be checked periodically and refilled with water if necessary
- Internal gas emission through venting hole
- Handle with care to prevent acid spillage
- Regular life duration
- Does not need to be recharged while stocked

#### UPGRADE FOR

#### WEIGHT

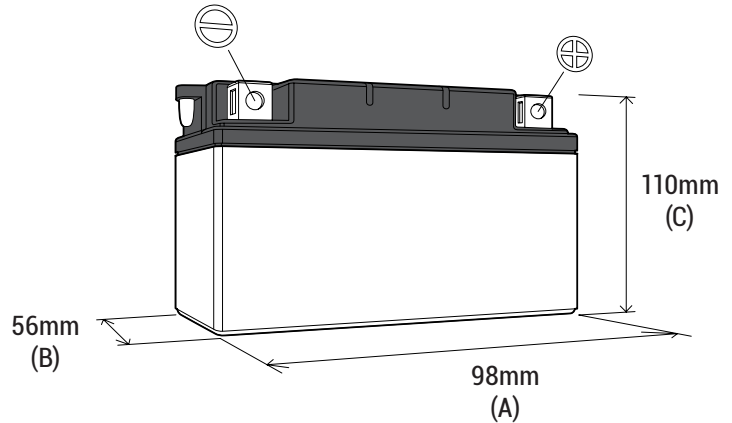
Battery (with acid) : Approx 1.20kg (2.65lbs)

#### MOUNTING ANGLE

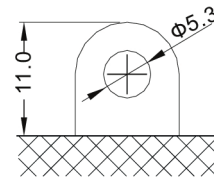


#### DIMENSIONS

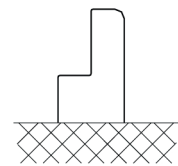
Length (A) : 98±2mm (3.86in)  
 Width (B) : 56±2mm (2.20in)  
 Container height : 110±2mm (4.33in)  
 Total height (C) : 110±2mm (4.33in)



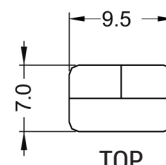
#### TERMINALS



FRONT



SIDE



TOP