



## DRY BATTERY

DRY | CONVENTIONAL

# REF BB30L-B



**12V** VOLTAGE - V

**300A** CCA - A

**31.6Ah** VOLTAGE - Ah (20Hr)

**30Ah** VOLTAGE - Ah (10Hr)

### TECHNOLOGY

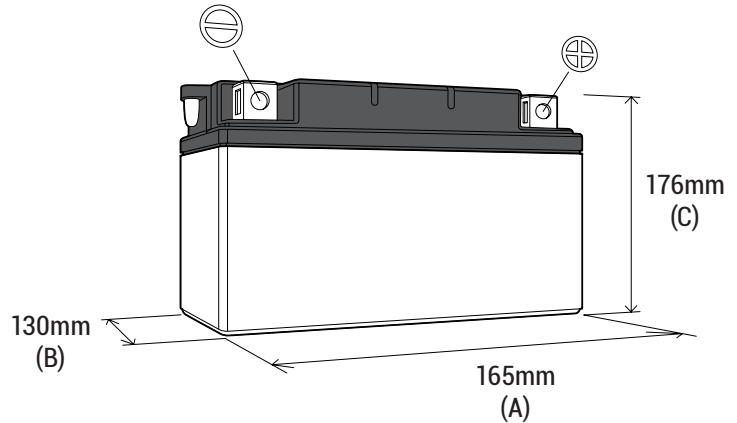
- Lead acid dry charged construction (absorbed acid)
- No acid in cells, must be filled with acid before use
- 6 & 12V batteries

### FEATURES

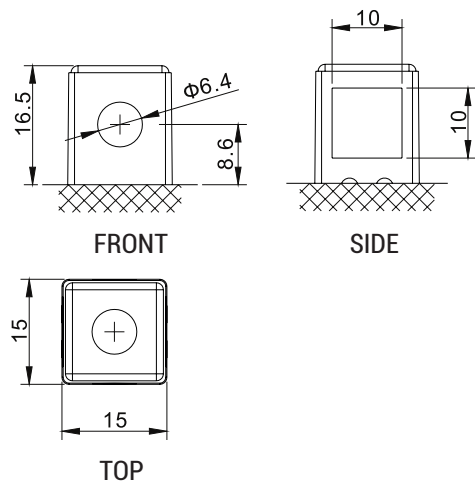
- Upright installation only
- Has to be checked periodically and refilled with water if necessary
- Internal gas emission through venting hole
- Handle with care to prevent acid spillage
- Regular life duration
- Does not need to be recharged while stocked

### DIMENSIONS

Length (A) :	165±2mm (6.50in)
Width (B) :	130±2mm (5.12in)
Container height :	176±2mm (6.93in)
Total height (C) :	176±2mm (6.93in)



### TERMINALS



### UPGRADE FOR

### WEIGHT

Battery (with acid) : Approx 8.36kg (18.41lbs)

### MOUNTING ANGLE

