

DRY BATTERY

DRY | CONVENTIONAL

REF BB30CL-B



12V VOLTAGE - V

300A CCA - A

31.6Ah VOLTAGE - Ah (20Hr)

30Ah VOLTAGE - Ah (10Hr)

TECHNOLOGY

- Lead acid dry charged construction (absorbed acid)
- No acid in cells, must be filled with acid before use
- 6 & 12V batteries

FEATURES

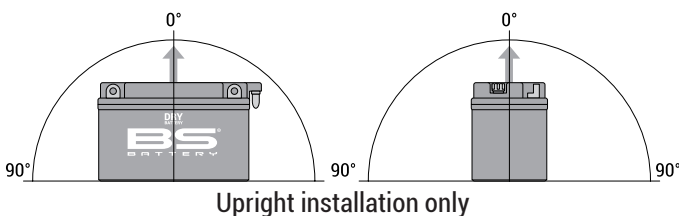
- Upright installation only
- Has to be checked periodically and refilled with water if necessary
- Internal gas emission through venting hole
- Handle with care to prevent acid spillage
- Regular life duration
- Does not need to be recharged while stocked

UPGRADE FOR

WEIGHT

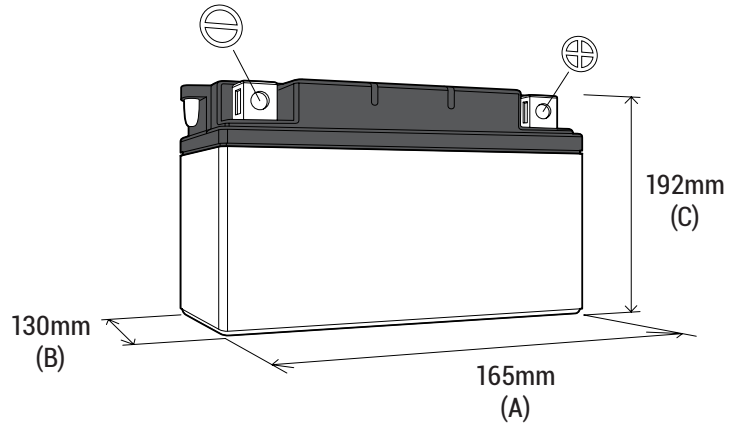
Battery (with acid) : Approx 8.40kg (18.50lbs)

MOUNTING ANGLE



DIMENSIONS

Length (A) : 165±2mm (6.50in)
 Width (B) : 130±2mm (5.12in)
 Container height : 192±2mm (7.56in)
 Total height (C) : 192±2mm (7.56in)



TERMINALS

