



DRY BATTERY

DRY | CONVENTIONAL

REF BB18-A



12V VOLTAGE - V

235A CCA - A

18.9Ah VOLTAGE - Ah (20Hr)

18Ah VOLTAGE - Ah (10Hr)

TECHNOLOGY

- Lead acid dry charged construction (absorbed acid)
- No acid in cells, must be filled with acid before use
- 6 & 12V batteries

FEATURES

- Upright installation only
- Has to be checked periodically and refilled with water if necessary
- Internal gas emission through venting hole
- Handle with care to prevent acid spillage
- Regular life duration
- Does not need to be recharged while stocked

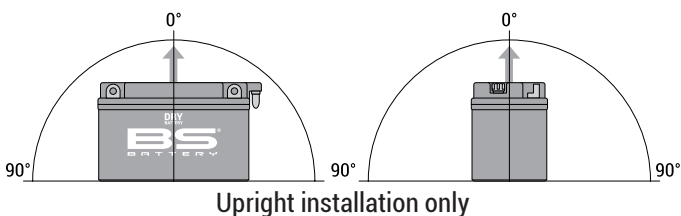
UPGRADE FOR

-

WEIGHT

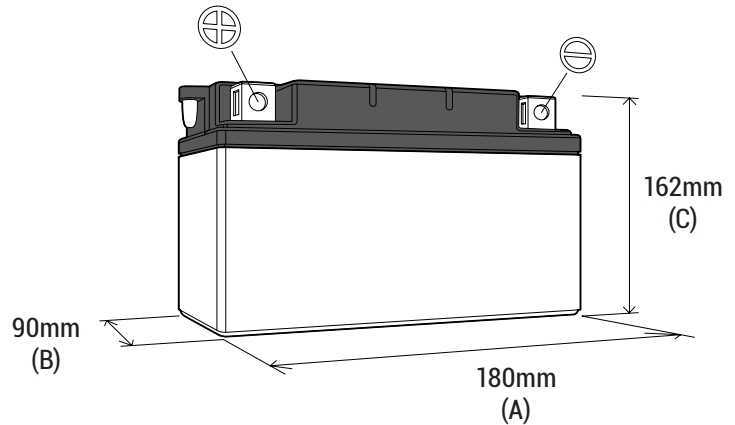
Battery (with acid) : Approx 5.81kg (12.81lbs)

MOUNTING ANGLE



DIMENSIONS

Length (A) : 180±2mm (7.09in)
 Width (B) : 90±2mm (3.54in)
 Container height : 162±2mm (6.38in)
 Total height (C) : 162±2mm (6.38in)



TERMINALS

