



DRY BATTERY

DRY | CONVENTIONAL

REF BB16L-B



12V VOLTAGE - V

215A CCA - A

20Ah VOLTAGE - Ah (20Hr)

19Ah VOLTAGE - Ah (10Hr)

TECHNOLOGY

- Lead acid dry charged construction (absorbed acid)
- No acid in cells, must be filled with acid before use
- 6 & 12V batteries

FEATURES

- Upright installation only
- Has to be checked periodically and refilled with water if necessary
- Internal gas emission through venting hole
- Handle with care to prevent acid spillage
- Regular life duration
- Does not need to be recharged while stocked

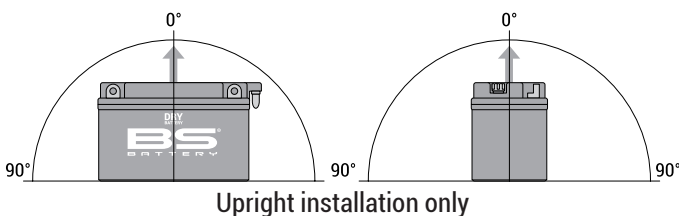
UPGRADE FOR

-

WEIGHT

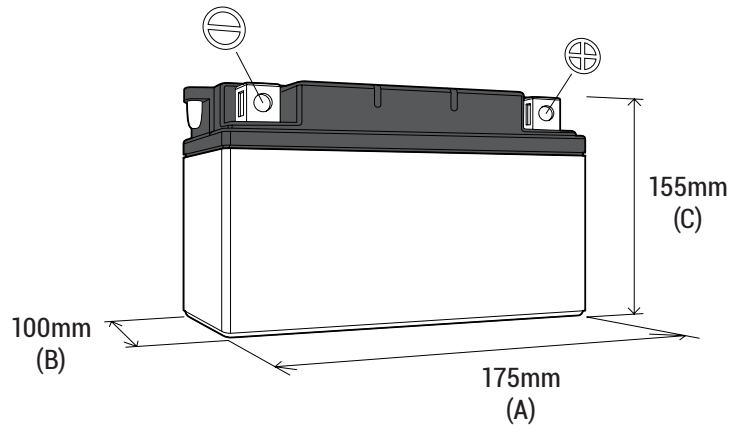
Battery (with acid) : Approx 5.97kg (13.14lbs)

MOUNTING ANGLE



DIMENSIONS

Length (A) : 175±2mm (6.89in)
 Width (B) : 100±2mm (3.94in)
 Container height : 155±2mm (6.10in)
 Total height (C) : 155±2mm (6.10in)



TERMINALS

