

DRY BATTERY

DRY | CONVENTIONAL

REF BB16CL-B



12V VOLTAGE - V

250A CCA - A

20Ah VOLTAGE - Ah (20Hr)

19Ah VOLTAGE - Ah (10Hr)

TECHNOLOGY

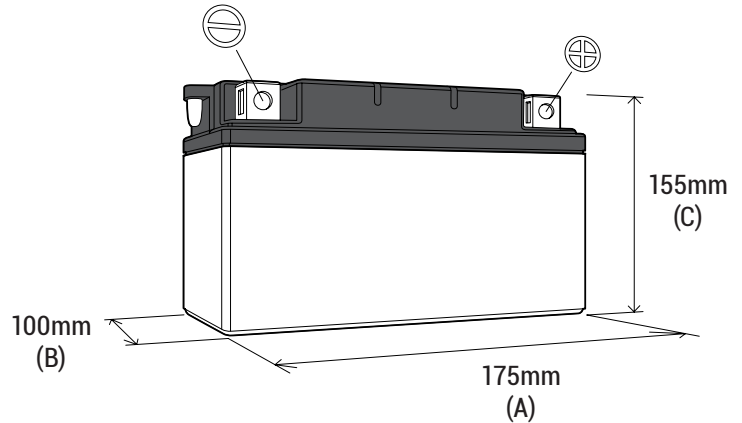
- Lead acid dry charged construction (absorbed acid)
- No acid in cells, must be filled with acid before use
- 6 & 12V batteries

FEATURES

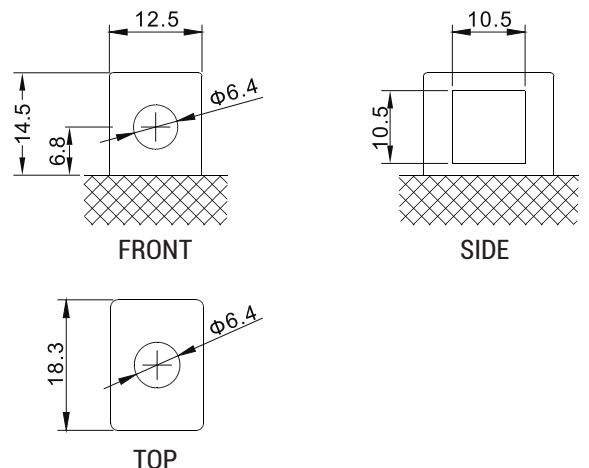
- Upright installation only
- Has to be checked periodically and refilled with water if necessary
- Internal gas emission through venting hole
- Handle with care to prevent acid spillage
- Regular life duration
- Does not need to be recharged while stocked

DIMENSIONS

Length (A) :	175±2mm (6.89in)
Width (B) :	100±2mm (3.94in)
Container height :	175±2mm (6.89in)
Total height (C) :	175±2mm (6.89in)



TERMINALS



UPGRADE FOR

-

WEIGHT

Battery (with acid) : Approx 6.04kg (13.30lbs)

MOUNTING ANGLE

