

DRY BATTERY

DRY | CONVENTIONAL

REF BB16B-A1



12V VOLTAGE - V

207A CCA - A

16.8Ah VOLTAGE - Ah (20Hr)

16Ah VOLTAGE - Ah (10Hr)

TECHNOLOGY

- Lead acid dry charged construction (absorbed acid)
- No acid in cells, must be filled with acid before use
- 6 & 12V batteries

FEATURES

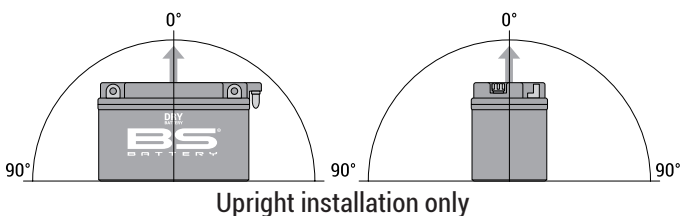
- Upright installation only
- Has to be checked periodically and refilled with water if necessary
- Internal gas emission through venting hole
- Handle with care to prevent acid spillage
- Regular life duration
- Does not need to be recharged while stocked

UPGRADE FOR

WEIGHT

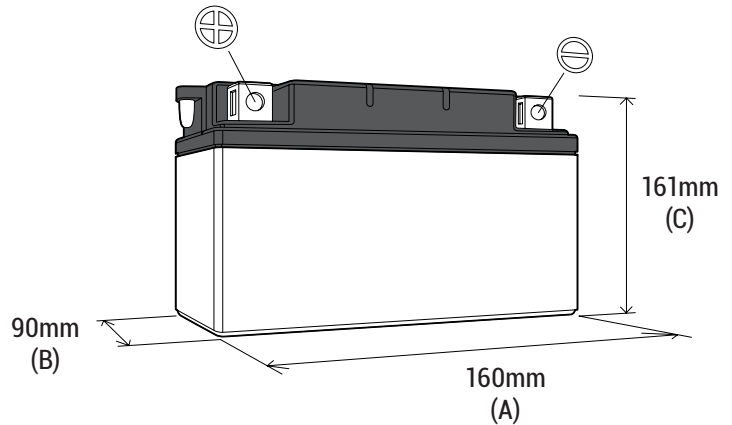
Battery (with acid) : Approx 5.13kg (11.31lbs)

MOUNTING ANGLE



DIMENSIONS

Length (A) :	160±2mm (6.30in)
Width (B) :	90±2mm (3.54in)
Container height :	161±2mm (6.34in)
Total height (C) :	161±2mm (6.34in)



TERMINALS

