

## DRY BATTERY

DRY | CONVENTIONAL

# REF BB16AL-A2



**12V** VOLTAGE - V

**210A** CCA - A

**16.8Ah** VOLTAGE - Ah (20Hr)

**16Ah** VOLTAGE - Ah (10Hr)

### TECHNOLOGY

- Lead acid dry charged construction (absorbed acid)
- No acid in cells, must be filled with acid before use
- 6 & 12V batteries

### FEATURES

- Upright installation only
- Has to be checked periodically and refilled with water if necessary
- Internal gas emission through venting hole
- Handle with care to prevent acid spillage
- Regular life duration
- Does not need to be recharged while stocked

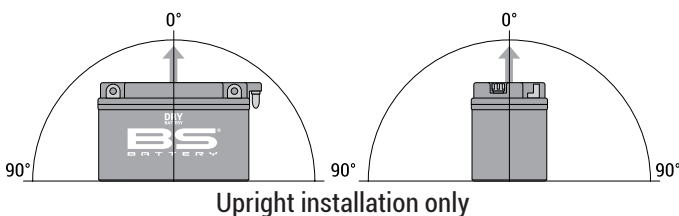
### UPGRADE FOR

-

### WEIGHT

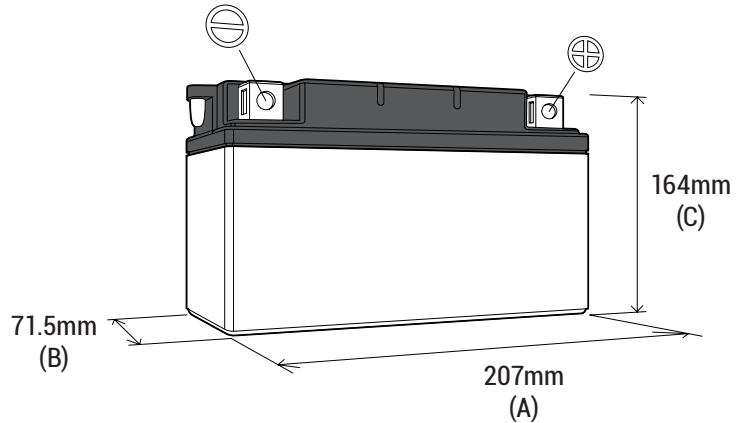
Battery (with acid) : Approx 5.55kg (12.22lbs)

### MOUNTING ANGLE



### DIMENSIONS

Length (A) : 207±2mm (8.15in)  
 Width (B) : 71.5±2mm (2.81in)  
 Container height : 164±2mm (6.46in)  
 Total height (C) : 164±2mm (6.46in)



### TERMINALS

