



## DRY BATTERY

DRY | CONVENTIONAL

# REF BB14-B2



**12V** VOLTAGE - V

**175A** CCA - A

**14.7Ah** VOLTAGE - Ah (20Hr)

**14Ah** VOLTAGE - Ah (10Hr)

### TECHNOLOGY

- Lead acid dry charged construction (absorbed acid)
- No acid in cells, must be filled with acid before use
- 6 & 12V batteries

### FEATURES

- Upright installation only
- Has to be checked periodically and refilled with water if necessary
- Internal gas emission through venting hole
- Handle with care to prevent acid spillage
- Regular life duration
- Does not need to be recharged while stocked

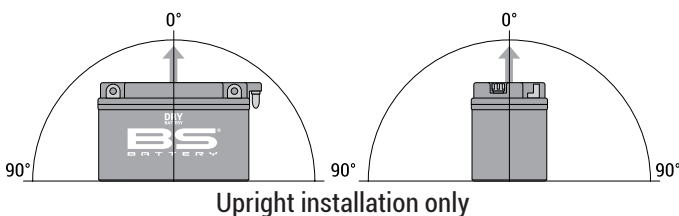
### UPGRADE FOR

-

### WEIGHT

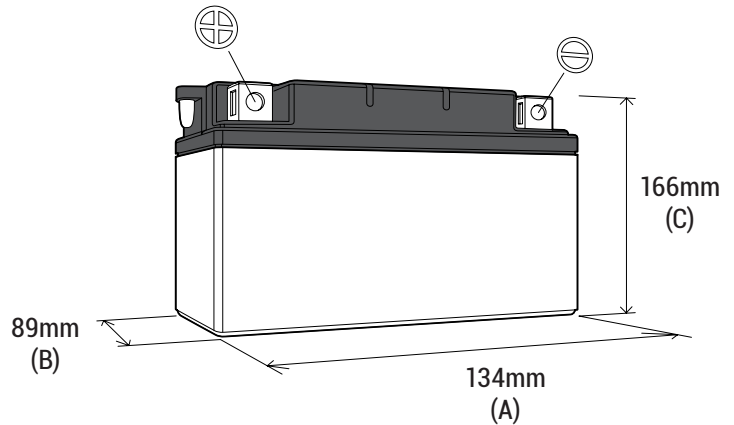
Battery (with acid) :                      Approx 4.55kg (10.01lbs)

### MOUNTING ANGLE



### DIMENSIONS

Length (A) :                                      134±2mm (5.28in)  
 Width (B) :                                      89±2mm (3.50in)  
 Container height :                              166±2mm (6.54in)  
 Total height (C) :                              166±2mm (6.54in)



### TERMINALS

