

DRY BATTERY

DRY | CONVENTIONAL

REF BB12AL-A



12V VOLTAGE - V

155A CCA - A

12.6Ah VOLTAGE - Ah (20Hr)

12Ah VOLTAGE - Ah (10Hr)

TECHNOLOGY

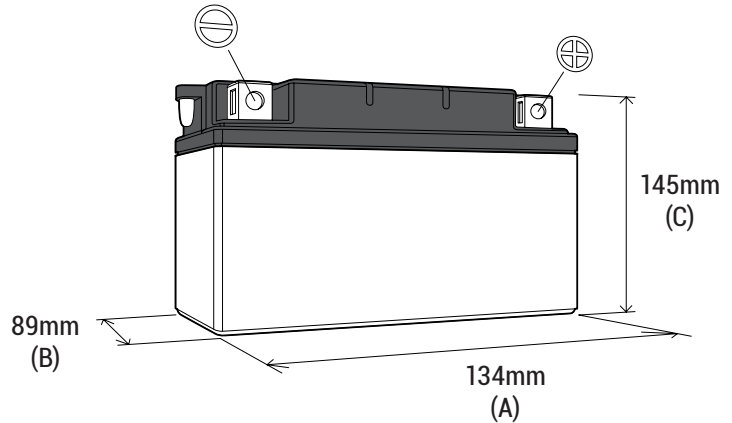
- Lead acid dry charged construction (absorbed acid)
- No acid in cells, must be filled with acid before use
- 6 & 12V batteries

FEATURES

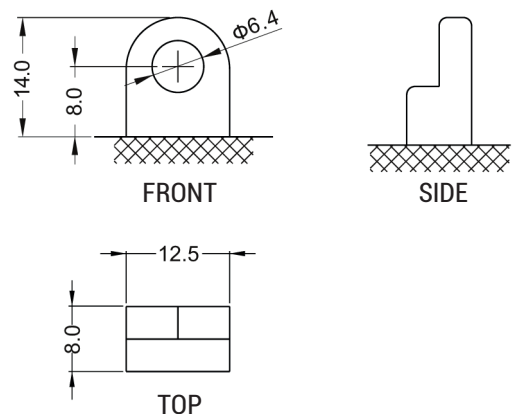
- Upright installation only
- Has to be checked periodically and refilled with water if necessary
- Internal gas emission through venting hole
- Handle with care to prevent acid spillage
- Regular life duration
- Does not need to be recharged while stocked

DIMENSIONS

Length (A) :	134±2mm (5.28in)
Width (B) :	81±2mm (3.19in)
Container height :	160±2mm (6.30in)
Total height (C) :	160±2mm (6.30in)



TERMINALS



UPGRADE FOR

WEIGHT

Battery (with acid) : Approx 4.15kg (9.14lbs)

MOUNTING ANGLE

