

DRY BATTERY

DRY | CONVENTIONAL

REF BB12A-B



12V VOLTAGE - V

155A CCA - A

12.6Ah VOLTAGE - Ah (20Hr)

12Ah VOLTAGE - Ah (10Hr)

TECHNOLOGY

- Lead acid dry charged construction (absorbed acid)
- No acid in cells, must be filled with acid before use
- 6 & 12V batteries

FEATURES

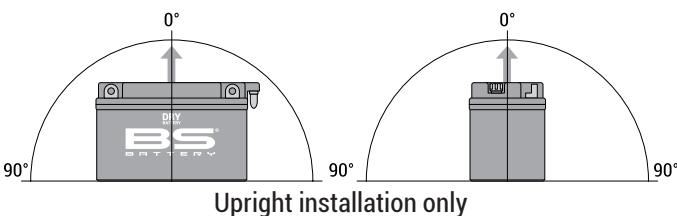
- Upright installation only
- Has to be checked periodically and refilled with water if necessary
- Internal gas emission through venting hole
- Handle with care to prevent acid spillage
- Regular life duration
- Does not need to be recharged while stocked

UPGRADE FOR

WEIGHT

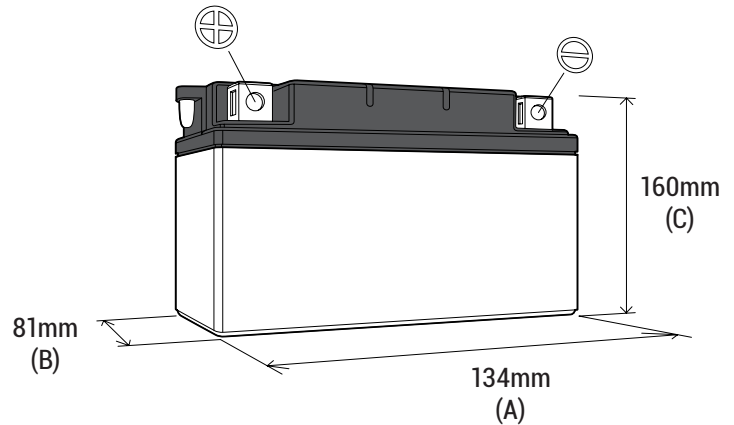
Battery (with acid) : Approx 4.06kg (8.94lbs)

MOUNTING ANGLE

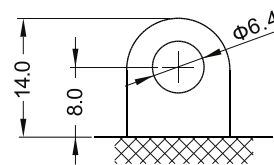


DIMENSIONS

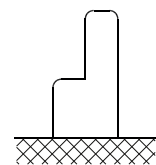
Length (A) : 134±2mm (5.28in)
 Width (B) : 81±2mm (3.19in)
 Container height : 160±2mm (6.30in)
 Total height (C) : 160±2mm (6.30in)



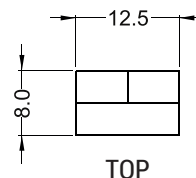
TERMINALS



FRONT



SIDE



TOP