

## DRY BATTERY

DRY | CONVENTIONAL

# REF BB12A-A



**12V** VOLTAGE - V

**155A** CCA - A

**12.6Ah** VOLTAGE - Ah (20Hr)

**12Ah** VOLTAGE - Ah (10Hr)

### TECHNOLOGY

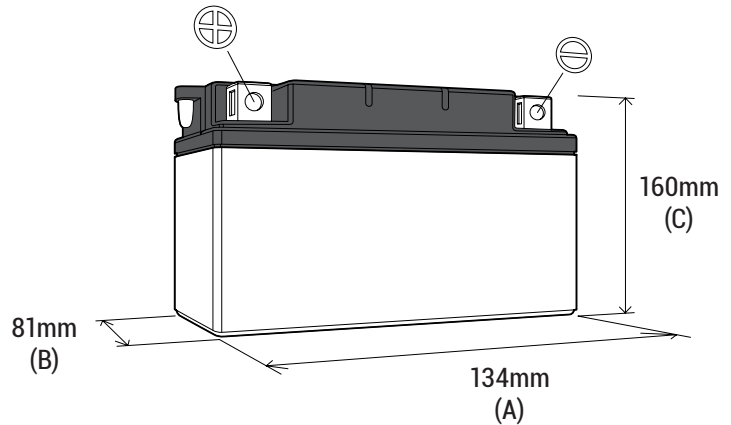
- Lead acid dry charged construction (absorbed acid)
- No acid in cells, must be filled with acid before use
- 6 & 12V batteries

### FEATURES

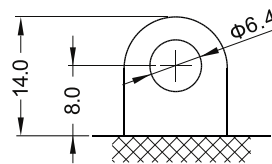
- Upright installation only
- Has to be checked periodically and refilled with water if necessary
- Internal gas emission through venting hole
- Handle with care to prevent acid spillage
- Regular life duration
- Does not need to be recharged while stocked

### DIMENSIONS

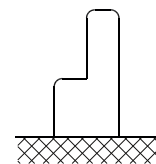
Length (A) : 134±2mm (5.28in)  
 Width (B) : 81±2mm (3.19in)  
 Container height : 160±2mm (6.30in)  
 Total height (C) : 160±2mm (6.30in)



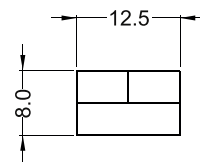
### TERMINALS



FRONT



SIDE



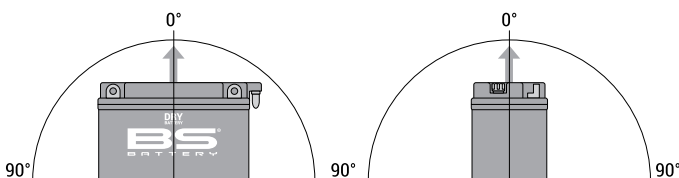
TOP

### UPGRADE FOR

### WEIGHT

Battery (with acid) : Approx 4.06kg (8.94lbs)

### MOUNTING ANGLE



Upright installation only