

## DRY BATTERY

DRY | CONVENTIONAL

# REF BB10L-BP



**12V** VOLTAGE - V

**165A** CCA - A

**11.6Ah** VOLTAGE - Ah (20Hr)

**11Ah** VOLTAGE - Ah (10Hr)

### TECHNOLOGY

- Lead acid dry charged construction (absorbed acid)
- No acid in cells, must be filled with acid before use
- 6 & 12V batteries

### FEATURES

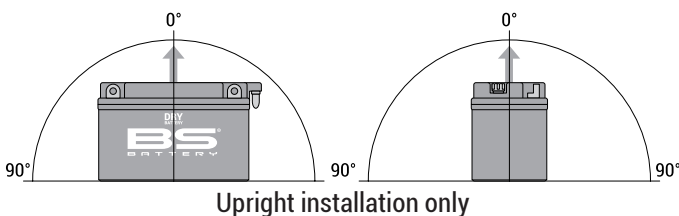
- Upright installation only
- Has to be checked periodically and refilled with water if necessary
- Internal gas emission through venting hole
- Handle with care to prevent acid spillage
- Regular life duration
- Does not need to be recharged while stocked

### UPGRADE FOR

### WEIGHT

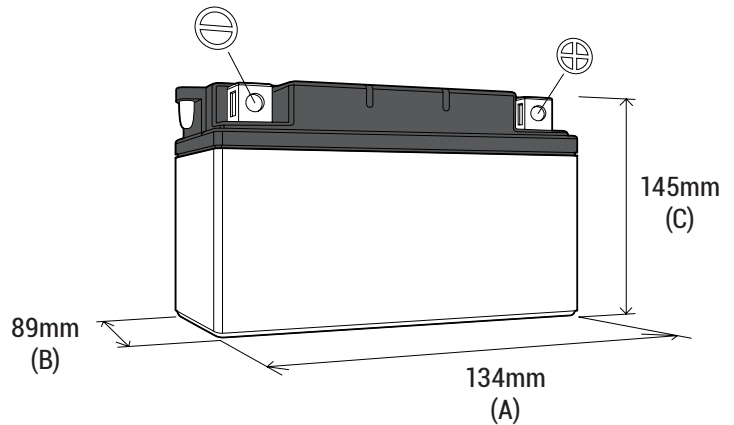
Battery (with acid) : Approx 4.05kg (8.92lbs)

### MOUNTING ANGLE

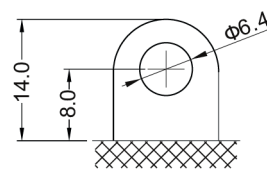


### DIMENSIONS

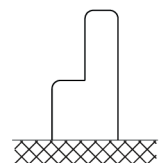
Length (A) : 134±2mm (5.28in)  
 Width (B) : 89±2mm (3.50in)  
 Container height : 145±2mm (5.71in)  
 Total height (C) : 145±2mm (5.71in)



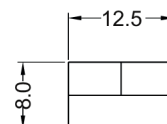
### TERMINALS



FRONT



SIDE



TOP