

DRY BATTERY

DRY | CONVENTIONAL

REF BB10L-A2



12V VOLTAGE - V

130A CCA - A

11.6Ah VOLTAGE - Ah (20Hr)

11Ah VOLTAGE - Ah (10Hr)

TECHNOLOGY

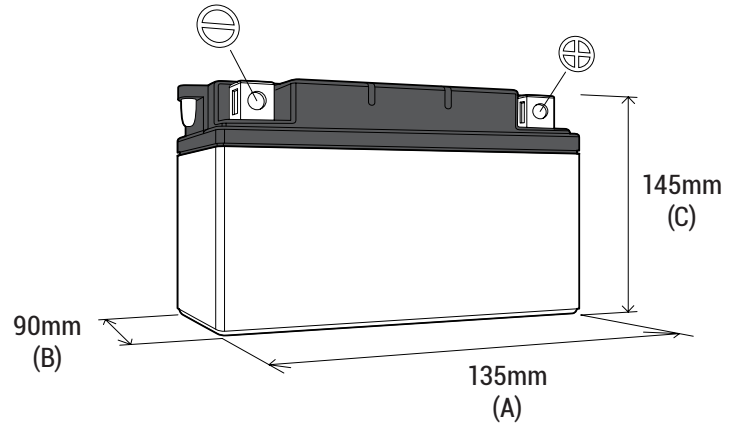
- Lead acid dry charged construction (absorbed acid)
- No acid in cells, must be filled with acid before use
- 6 & 12V batteries

FEATURES

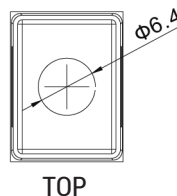
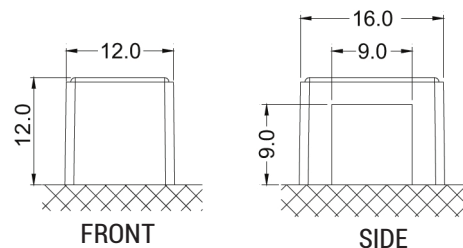
- Upright installation only
- Has to be checked periodically and refilled with water if necessary
- Internal gas emission through venting hole
- Handle with care to prevent acid spillage
- Regular life duration
- Does not need to be recharged while stocked

DIMENSIONS

Length (A) : 135±2mm (5.31in)
 Width (B) : 90±2mm (3.54in)
 Container height : 145±2mm (5.71in)
 Total height (C) : 145±2mm (5.71in)



TERMINALS



UPGRADE FOR

-

WEIGHT

Battery (with acid) : Approx 4.10kg (9.04lbs)

MOUNTING ANGLE

