

## DRY BATTERY

DRY | CONVENTIONAL

# REF B50-N18L-A/A2



**12V** VOLTAGE - V

**250A** CCA - A

**21.1Ah** VOLTAGE - Ah (20Hr)

**20Ah** VOLTAGE - Ah (10Hr)

### TECHNOLOGY

- Lead acid dry charged construction (absorbed acid)
- No acid in cells, must be filled with acid before use
- 6 & 12V batteries

### FEATURES

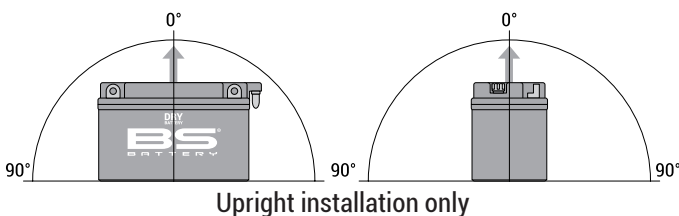
- Upright installation only
- Has to be checked periodically and refilled with water if necessary
- Internal gas emission through venting hole
- Handle with care to prevent acid spillage
- Regular life duration
- Does not need to be recharged while stocked

### UPGRADE FOR

### WEIGHT

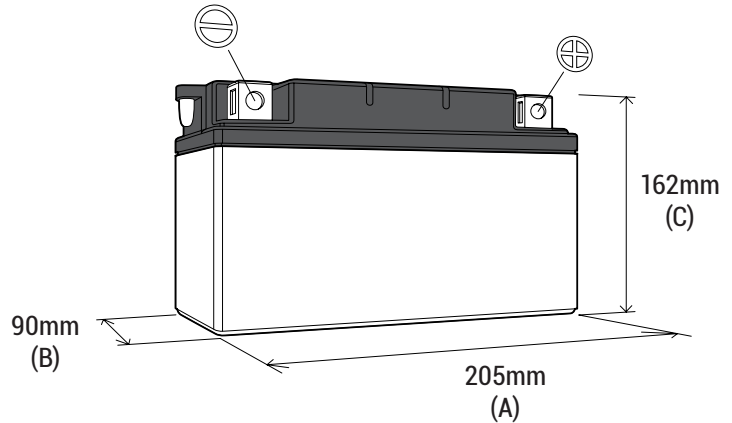
Battery (with acid) : Approx 6.53kg (14.38lbs)

### MOUNTING ANGLE



### DIMENSIONS

Length (A) : 205±2mm (8.07in)  
 Width (B) : 90±2mm (3.54in)  
 Container height : 162±2mm (6.38in)  
 Total height (C) : 162±2mm (6.38in)



### TERMINALS

