

## DRY BATTERY

DRY | CONVENTIONAL

REF **B39-6**



6v

VOLTAGE - v

7.4Ah

VOLTAGE - Ah (20Hr)

7Ah

VOLTAGE - Ah (10Hr)

### TECHNOLOGY

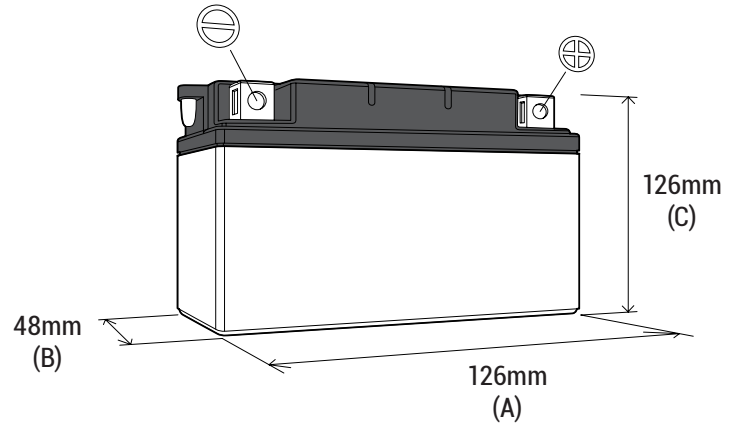
- Lead acid dry charged construction (absorbed acid)
- No acid in cells, must be filled with acid before use
- 6 & 12V batteries

### FEATURES

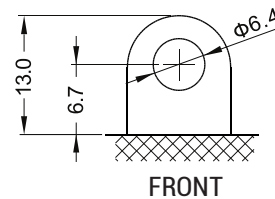
- Upright installation only
- Has to be checked periodically and refilled with water if necessary
- Internal gas emission through venting hole
- Handle with care to prevent acid spillage
- Regular life duration
- Does not need to be recharged while stocked

### DIMENSIONS

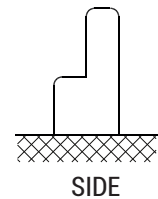
Length (A) :	126±2mm (4.96in)
Width (B) :	48±2mm (1.89in)
Container height :	126±2mm (4.96in)
Total height (C) :	126±2mm (4.96in)



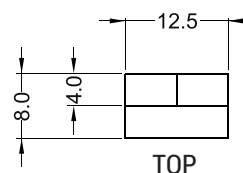
### TERMINALS



FRONT



SIDE



TOP

### UPGRADE FOR

### WEIGHT

Battery (with acid) : Approx 1.42kg (3.13lbs)

### MOUNTING ANGLE

