

DRY BATTERY

DRY | CONVENTIONAL

REF B38-6A



6v

VOLTAGE - v

13.7Ah

VOLTAGE - Ah (20Hr)

13Ah

VOLTAGE - Ah (10Hr)

TECHNOLOGY

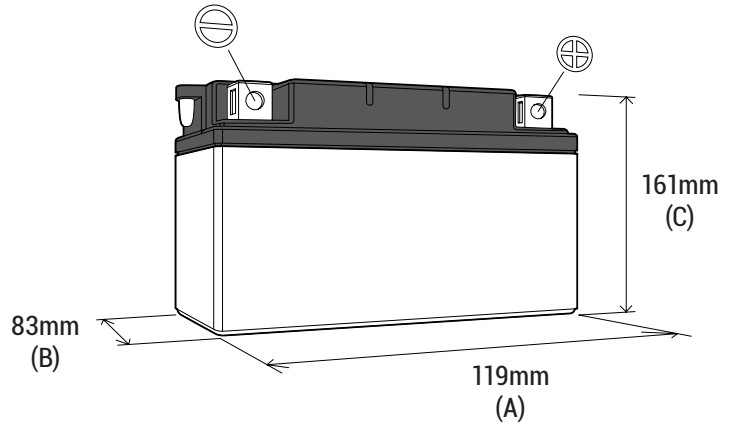
- Lead acid dry charged construction (absorbed acid)
- No acid in cells, must be filled with acid before use
- 6 & 12V batteries

FEATURES

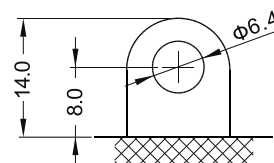
- Upright installation only
- Has to be checked periodically and refilled with water if necessary
- Internal gas emission through venting hole
- Handle with care to prevent acid spillage
- Regular life duration
- Does not need to be recharged while stocked

DIMENSIONS

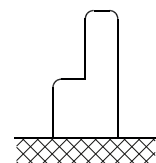
| | |
|--------------------|------------------|
| Length (A) : | 119±2mm (4.69in) |
| Width (B) : | 83±2mm (3.27in) |
| Container height : | 161±2mm (6.34in) |
| Total height (C) : | 161±2mm (6.34in) |



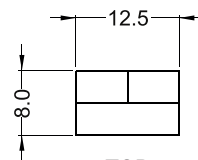
TERMINALS



FRONT



SIDE



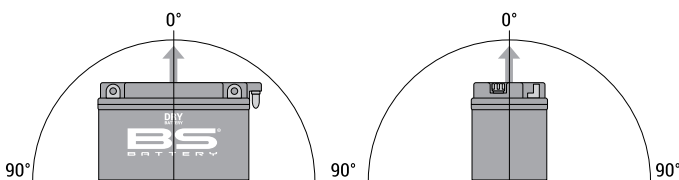
TOP

UPGRADE FOR

WEIGHT

Battery (with acid) : Approx 2.80kg (6.17lbs)

MOUNTING ANGLE



Upright installation only