

DRY BATTERY

DRY | CONVENTIONAL

REF 6N4C-1B



6v

VOLTAGE - v

4.2Ah

VOLTAGE - Ah (20Hr)

4Ah

VOLTAGE - Ah (10Hr)

TECHNOLOGY

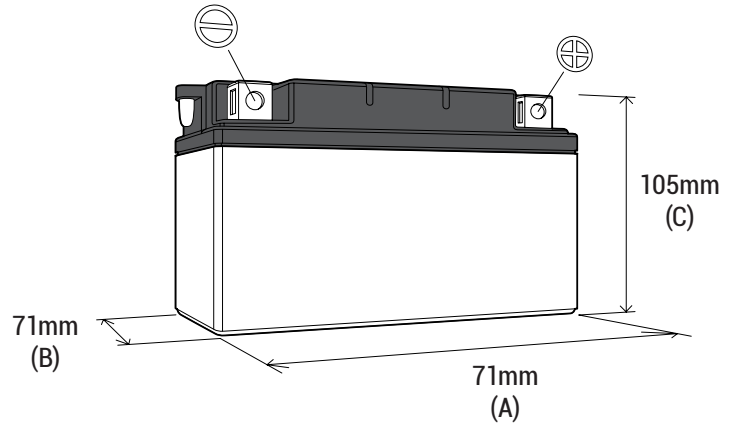
- Lead acid dry charged construction (absorbed acid)
- No acid in cells, must be filled with acid before use
- 6 & 12V batteries

FEATURES

- Upright installation only
- Has to be checked periodically and refilled with water if necessary
- Internal gas emission through venting hole
- Handle with care to prevent acid spillage
- Regular life duration
- Does not need to be recharged while stocked

DIMENSIONS

Length (A) :	71±2mm (2.80in)
Width (B) :	71±2mm (2.80in)
Container height :	105±2mm (4.13in)
Total height (C) :	105±2mm (4.13in)



TERMINALS

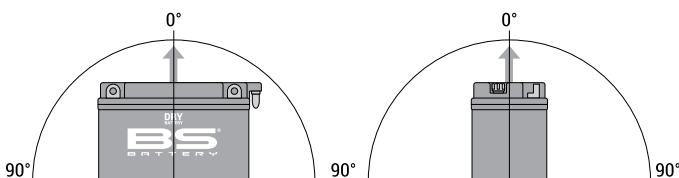
UPGRADE FOR

-

WEIGHT

Battery (with acid) : Approx 0.88kg (1.94lbs)

MOUNTING ANGLE



Upright installation only

