



## DRY BATTERY

DRY | CONVENTIONAL

# REF 52515



**12V** VOLTAGE - V

**300A** CCA - A

**30Ah** VOLTAGE - Ah (20Hr)

### TECHNOLOGY

- Lead acid dry charged construction (absorbed acid)
- No acid in cells, must be filled with acid before use
- 6 & 12V batteries

### FEATURES

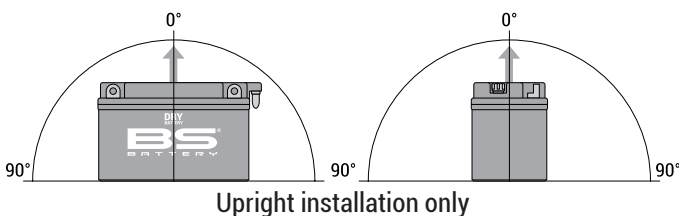
- Upright installation only
- Has to be checked periodically and refilled with water if necessary
- Internal gas emission through venting hole
- Handle with care to prevent acid spillage
- Regular life duration
- Does not need to be recharged while stocked

### UPGRADE FOR

### WEIGHT

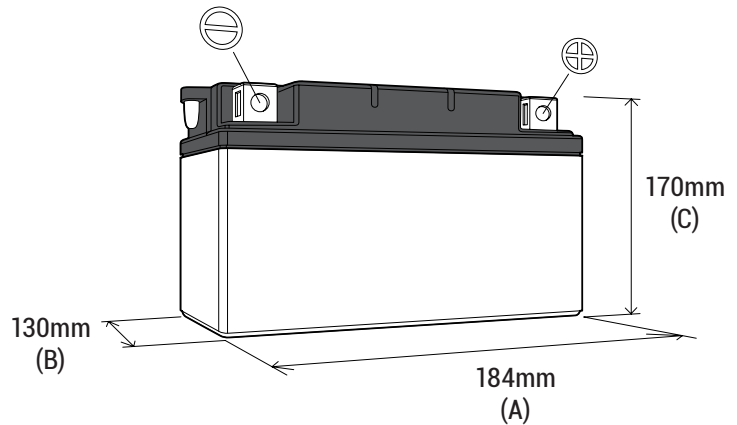
Battery (with acid) : Approx 8.71kg (19.20lbs)

### MOUNTING ANGLE

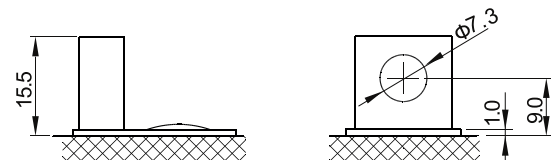


### DIMENSIONS

Length (A) : 184±2mm (7.24in)  
 Width (B) : 130±2mm (5.12in)  
 Container height : 170±2mm (6.69in)  
 Total height (C) : 170±2mm (6.69in)

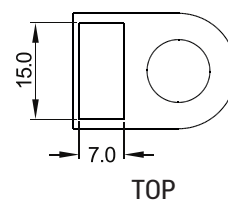


### TERMINALS



FRONT

SIDE



TOP