



DRY BATTERY

DRY | CONVENTIONAL

REF 51913



12v VOLTAGE - v

210A CCA - A

20h VOLTAGE - Ah (20Hr)

19Ah VOLTAGE - Ah (10Hr)

TECHNOLOGY

- Lead acid dry charged construction (absorbed acid)
- No acid in cells, must be filled with acid before use
- 6 & 12V batteries

FEATURES

- Upright installation only
- Has to be checked periodically and refilled with water if necessary
- Internal gas emission through venting hole
- Handle with care to prevent acid spillage
- Regular life duration
- Does not need to be recharged while stocked

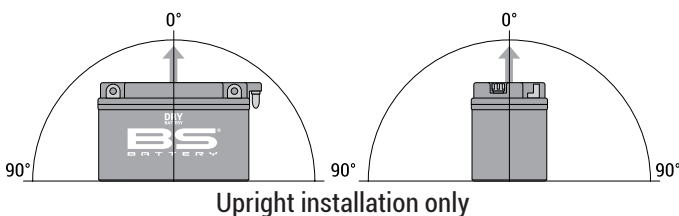
UPGRADE FOR

-

WEIGHT

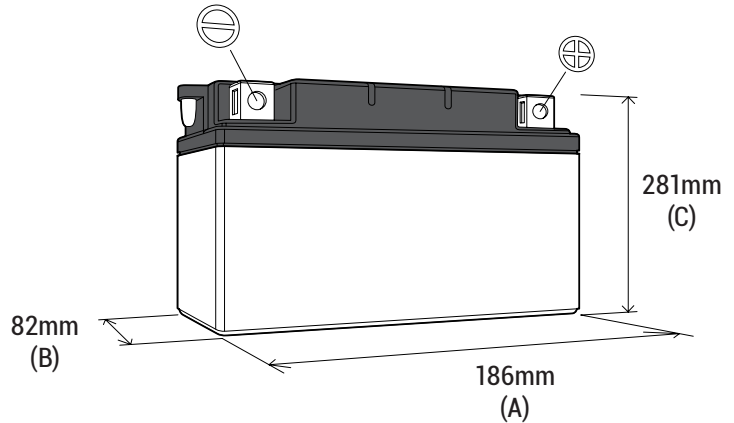
Battery (with acid) : Approx 5.90kg (13.00lbs)

MOUNTING ANGLE



DIMENSIONS

Length (A) : 186±2mm (8.07in)
 Width (B) : 82±2mm (3.54in)
 Container height : 171±2mm (6.38in)
 Total height (C) : 281±2mm (6.38in)



TERMINALS

