

## DRY BATTERY

DRY | CONVENTIONAL

REF **51814**



**12V** VOLTAGE - V

**210A** CCA - A

**19Ah** VOLTAGE - Ah (20Hr)

### TECHNOLOGY

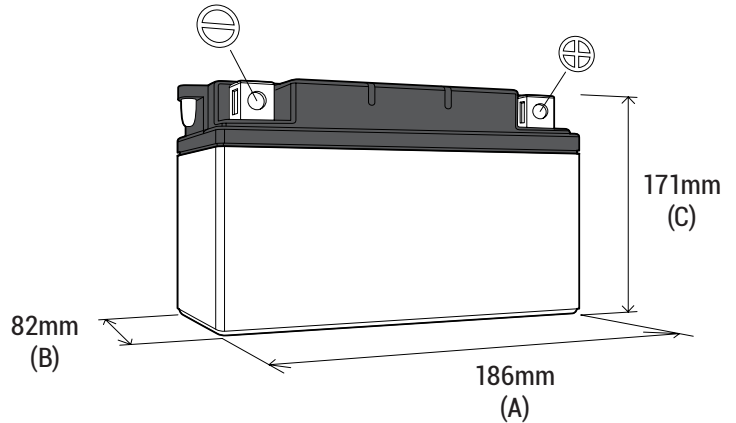
- Lead acid dry charged construction (absorbed acid)
- No acid in cells, must be filled with acid before use
- 6 & 12V batteries

### FEATURES

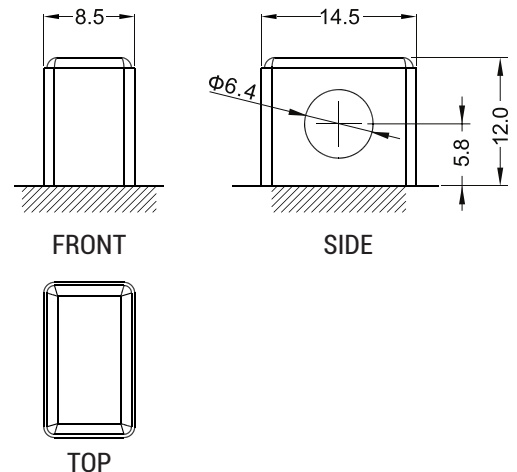
- Upright installation only
- Has to be checked periodically and refilled with water if necessary
- Internal gas emission through venting hole
- Handle with care to prevent acid spillage
- Regular life duration
- Does not need to be recharged while stocked

### DIMENSIONS

Length (A) : 186±2mm (7.32in)  
 Width (B) : 82±2mm (3.23in)  
 Container height : 171±2mm (6.73in)  
 Total height (C) : 171±2mm (6.73in)



### TERMINALS



### UPGRADE FOR

### WEIGHT

Battery (with acid) : Approx 5.90kg (13.00lbs)

### MOUNTING ANGLE

